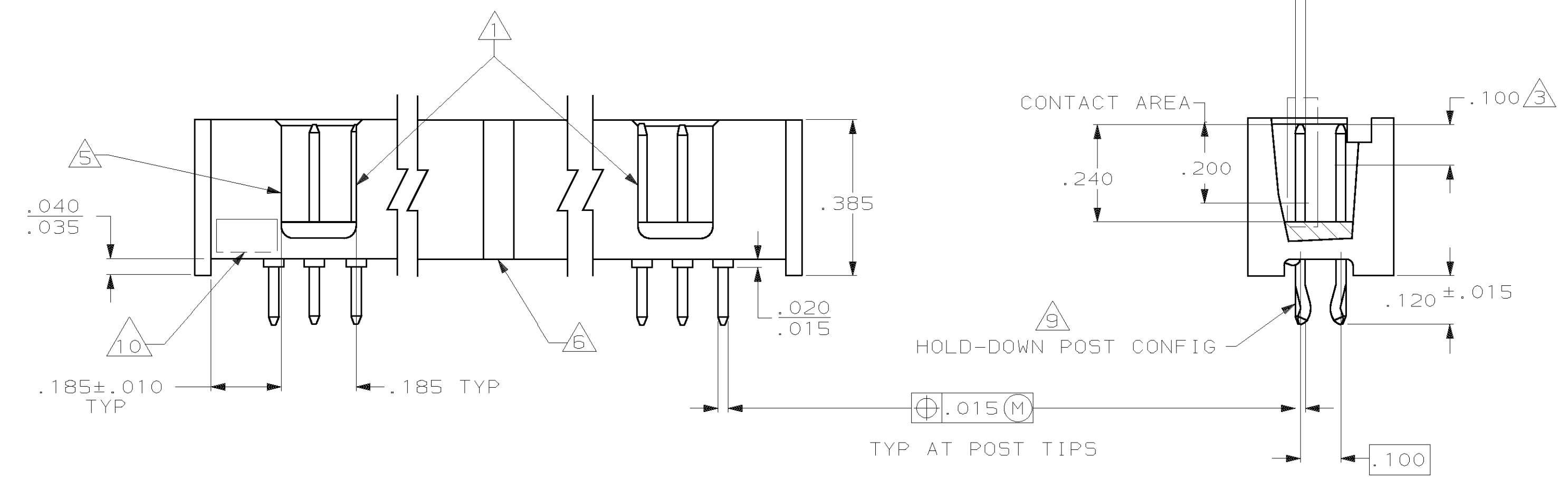
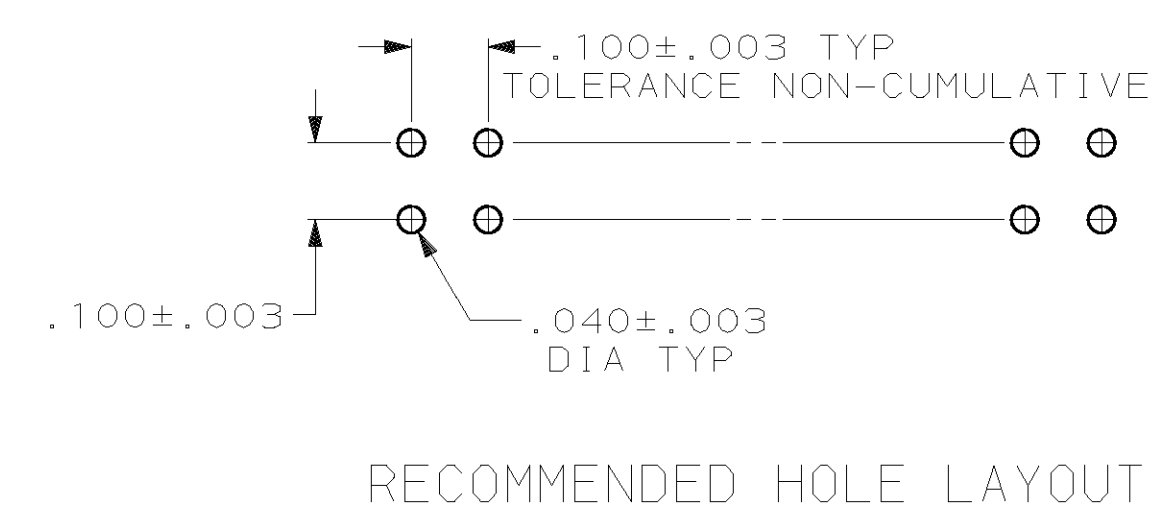
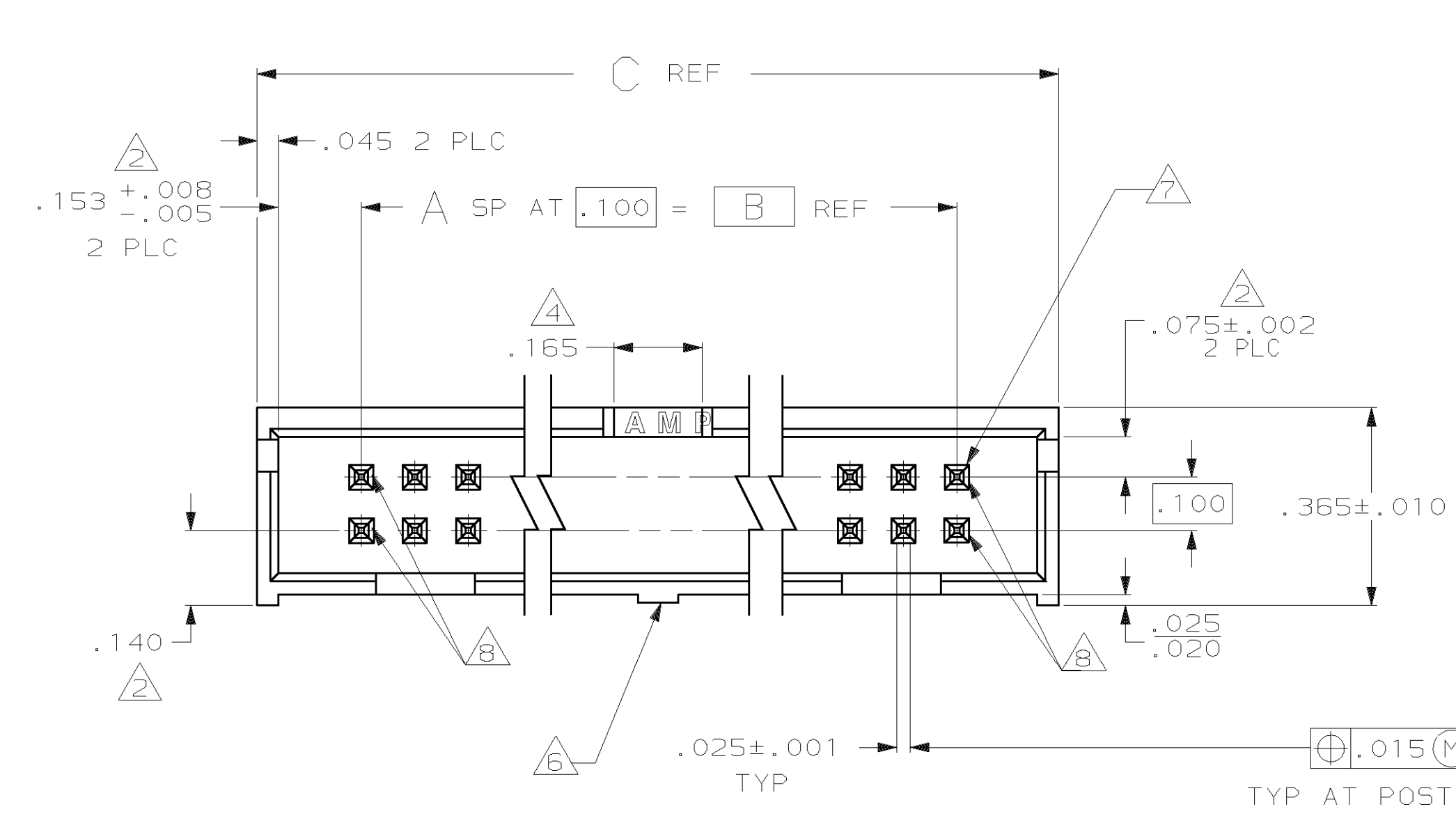


LOC		DIST		P		F		ZONE		LTR		REVISIONS		DATE	APPD
												DESCRIPTION			
												F	REV PER EC 0410-43-97	02 JUN 97	JGH
												G	OBSOLETE -6	29 JUL 97	JGH
												H	REV PER EC 0410-202-96	06 OCT 97	JGH
												J	REACTIVATE -6	10 APR 00	SLB
													PER EC 051A-0114-00		



- ⚠ DOUBLE BAR POLARIZATION
- ⚠ THE NOTED DIMENSIONS APPLY AT THE INTERSECTION OF THE POST AND HOUSING
- ⚠ POINT OF MEASUREMENT FOR PLATING THICKNESS
- ⚠ CENTER POLARIZATION SLOT
- ⚠ FOR 10 POSN ASSEMBLY, SLOT OMITTED WHERE INDICATED
- ⚠ CENTER STANDOFF RIB(S) ARE OPTIONAL.
- ⚠ NUMBER 1 POSITION.
- ⚠ LOCATION OF HOLD-DOWN POSTS (4 PLACES).
- ⚠ THE RETENTIVE FEATURE ON THIS CONNECTOR WAS DESIGNED TO BE USED FULLY SEATED IN A CIRCUIT BOARD HAVING A THICKNESS OF .062 ± .007 FOR CONNECTORS HAVING RETENTIVE FEATURES DESIGNED FOR USE IN CIRCUIT BOARDS OF OTHER THICKNESSES CONTACT AMP INCORPORATED.
- ⚠ 10 OPTIONAL AMP IDENTIFICATION NUMBER (DATE CODE). LOCATION APPROXIMATELY WHERE SHOWN.

3.300	2.900	29	60	1-104338-0
2.800	2.400	24	50	104338-9
2.300	1.900	19	40	104338-8
2.000	1.600	16	34	104338-7
1.600	1.200	12	26	104338-6
1.500	1.100	11	24	104338-5
1.300	.900	9	20	104338-4
1.100	.700	7	16	104338-3
1.000	.600	6	14	104338-2
.800	.400	4	10	104338-1
C	B	A	NO OF POSN	ASSEMBLY PART NUMBER

UNLESS OTHERWISE SPECIFIED DIMENSIONS ARE IN INCHES TOLERANCES ON:		DR 1-28-88 H MOLL	AMP INCORPORATED Harrisburg, Pa. 17105
2 PL DEC ± .005 3 PL DEC ± .005 ANGLES ±		CHK 2-2-88 T.C. CLARK	
MATERIAL: HOUSING, POLYESTER OR NYLON		APPD 2-2-88 R. ELICKER	
POSTS, PHOS BRONZE		PRODUCT SPEC 108-4001B	NAME HEADER ASSY, LOW PROFILE, HIGH TEMP, AMP-LATCH™
FINISH: POSTS: .000015 GOLD IN CONTACT AREA, .000100-.000200 TIN-LEAD ON SOLDER TAIL, ALL OVER .000050 NICKEL		APPLICATION SPEC -	SIZE <b>D</b> 00779
WEIGHT -		DRAWING NO 104338	SCALE 4:1
		SHEET 1 OF 1	